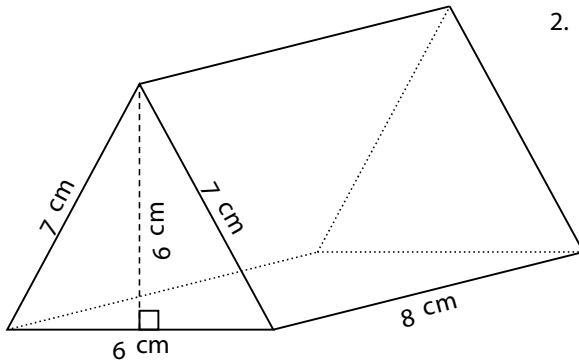


Name : Class :

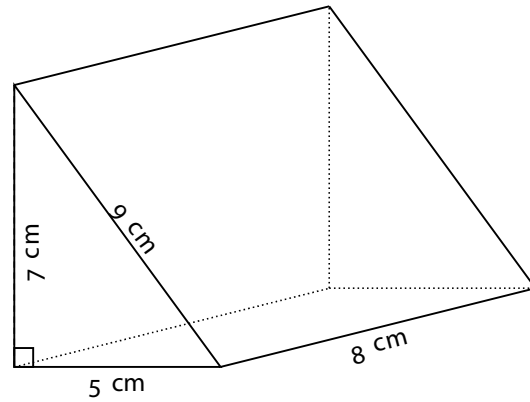
Calculating the area and the volume of triangle prism

Find the area and the volume of each triangle prism below

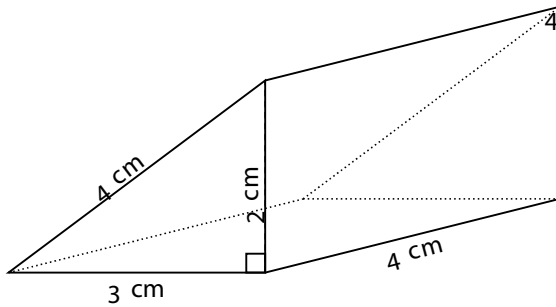
1.

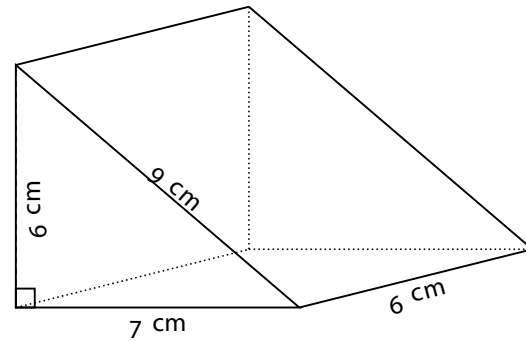


2.

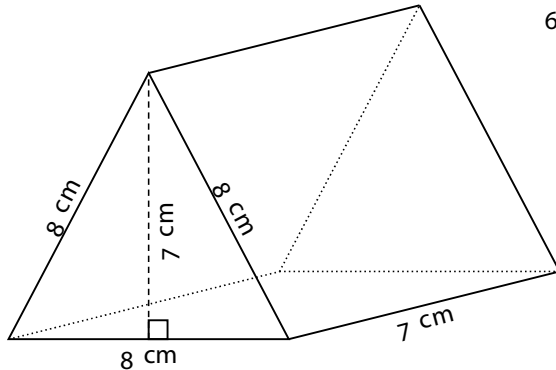


3.

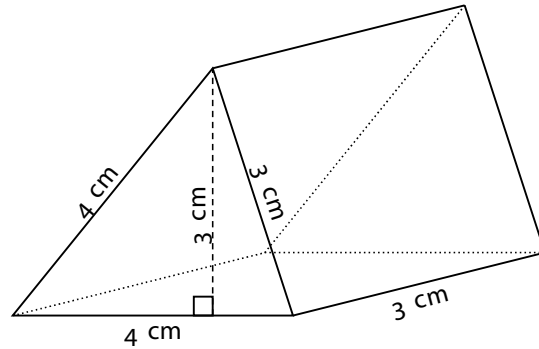




5.



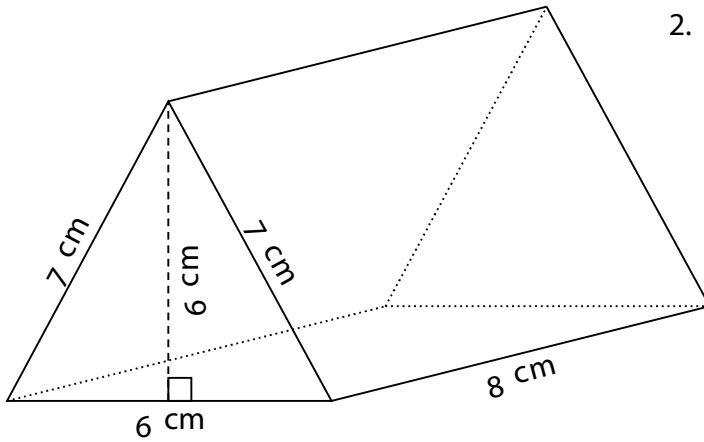
6.



ANSWER SHEET

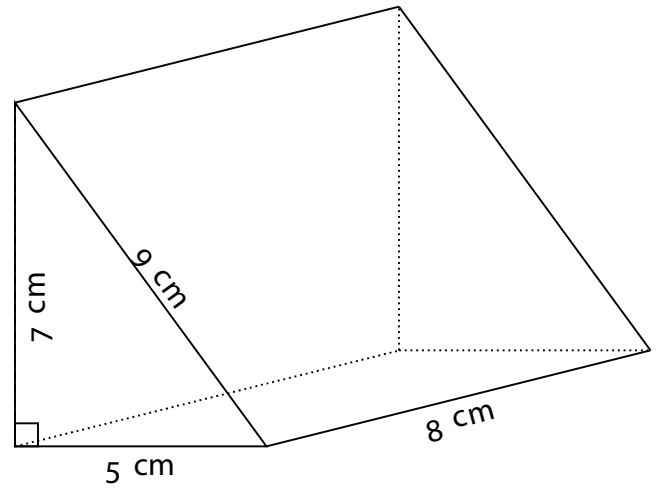
Find the volume.

1.



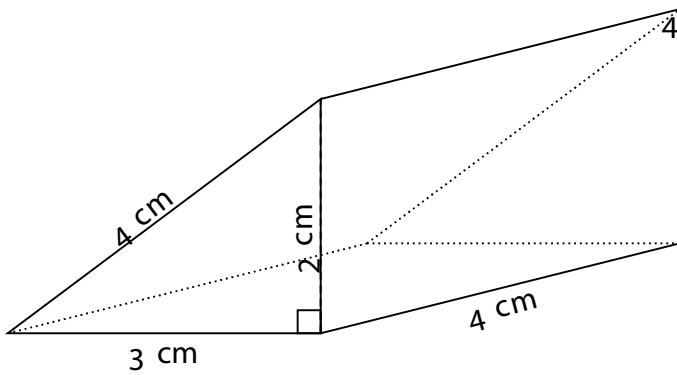
$$V = 144 \text{ cm}^3 \quad SA = 196 \text{ cm}^2$$

2.

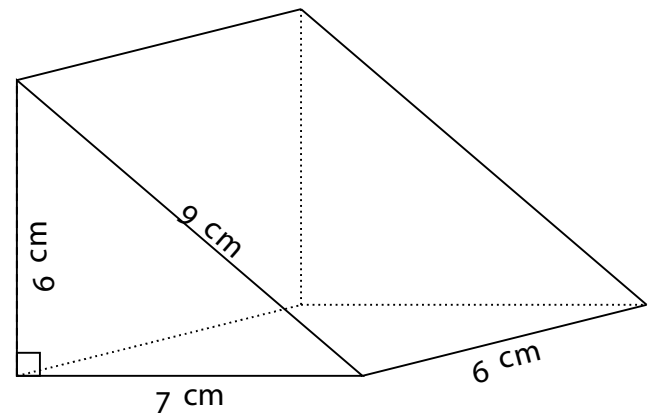


$$V = 140 \text{ cm}^3 \quad SA = 203 \text{ cm}^2$$

3.

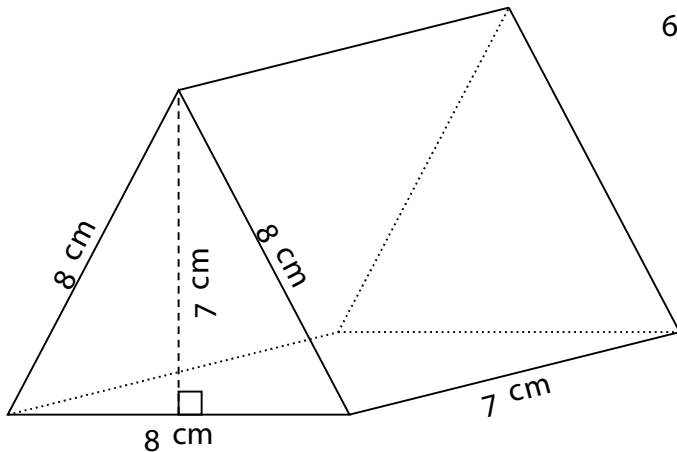


$$V = 12 \text{ cm}^3 \quad SA = 42 \text{ cm}^2$$



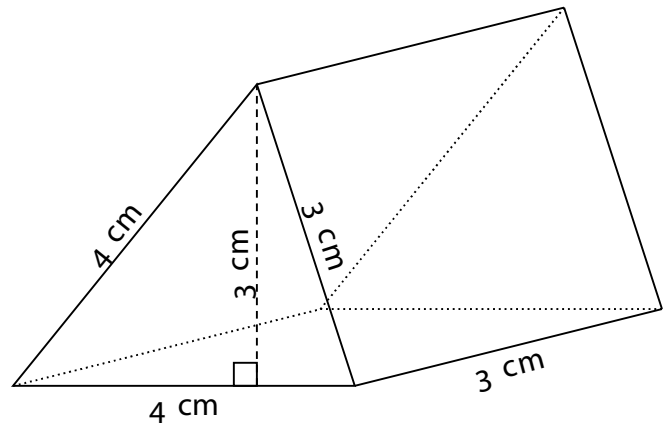
$$V = 126 \text{ cm}^3 \quad SA = 174 \text{ cm}^2$$

5.



$$V = 196 \text{ cm}^3 \quad SA = 224 \text{ cm}^2$$

6.



$$V = 18 \text{ cm}^3 \quad SA = 45 \text{ cm}^2$$