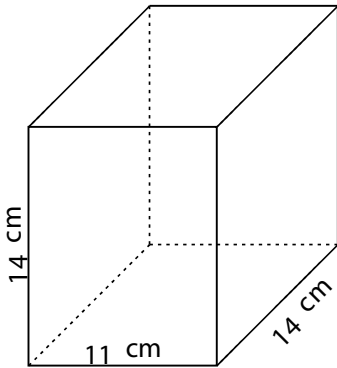


Name : Class :

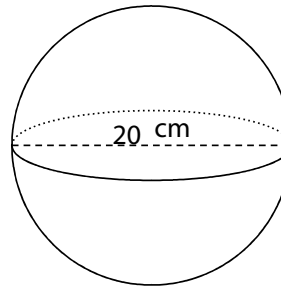
Calculate the area and the volume of shapes

Find the surface area and the volume of each geometric shape below.

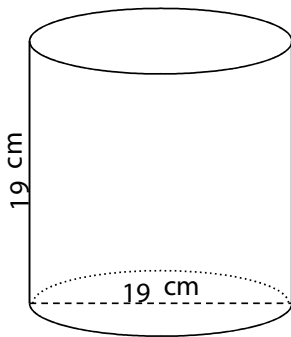
1.



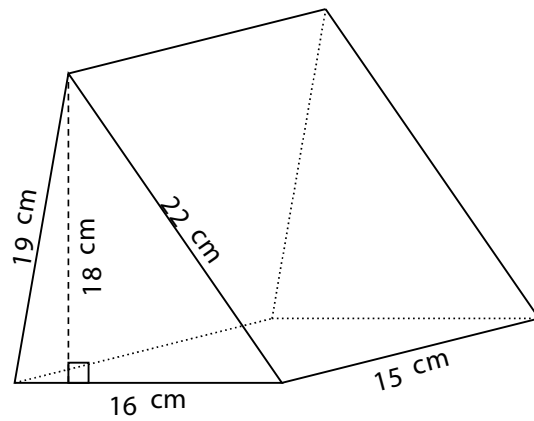
2.



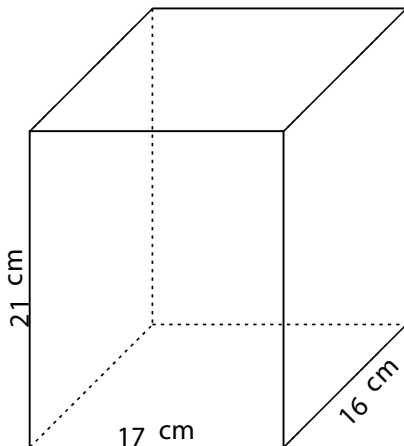
3.



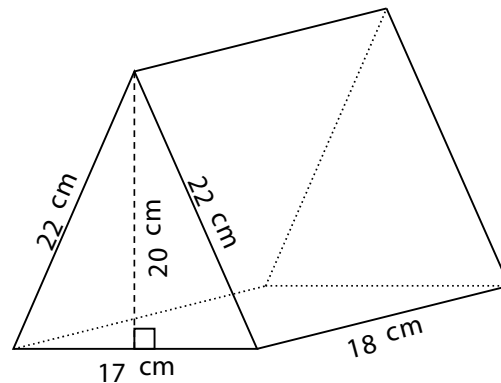
4.



5.



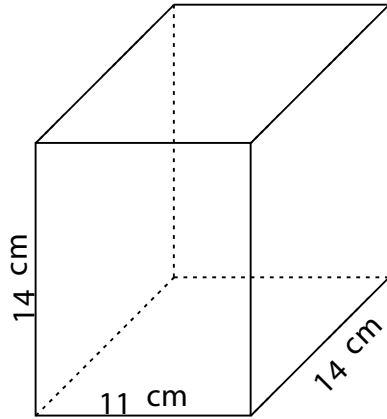
6.



ANSWER SHEET

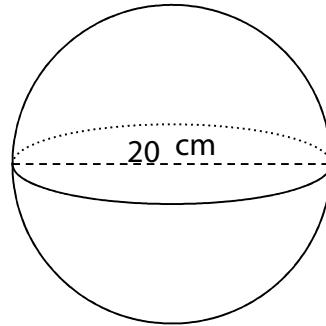
Find the volume.

1.



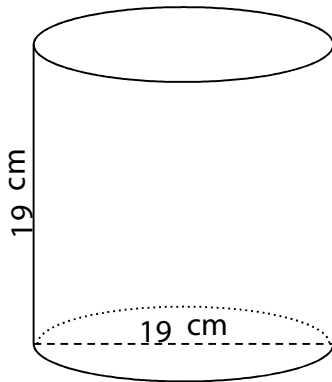
$$V = 2156 \text{ cm}^3 \quad SA = 1008 \text{ cm}^2$$

2.



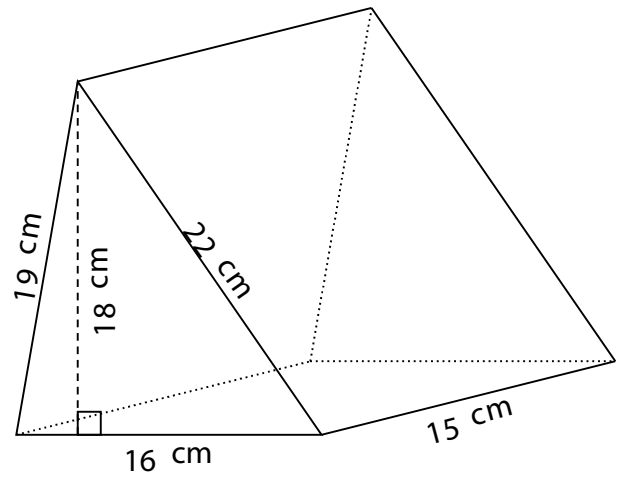
$$V = 4189 \text{ cm}^3 \quad SA = 1257 \text{ cm}^2$$

3.



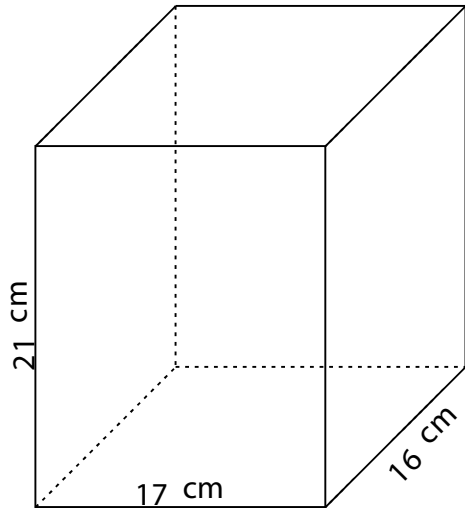
$$V = 5387 \text{ cm}^3 \quad SA = 1701 \text{ cm}^2$$

4.



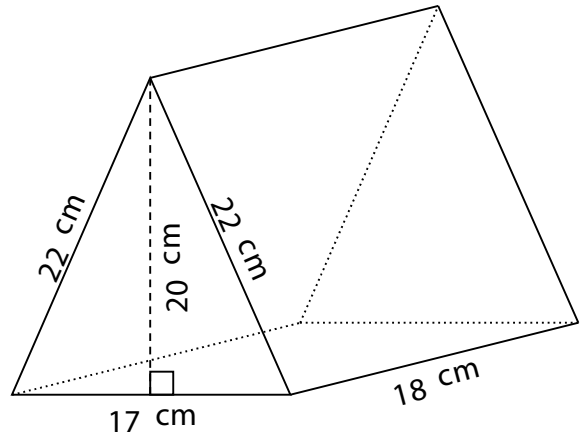
$$V = 2160 \text{ cm}^3 \quad SA = 1143 \text{ cm}^2$$

5.



$$V = 5712 \text{ cm}^3 \quad SA = 1930 \text{ cm}^2$$

6.



$$V = 3060 \text{ cm}^3 \quad SA = 1438 \text{ cm}^2$$